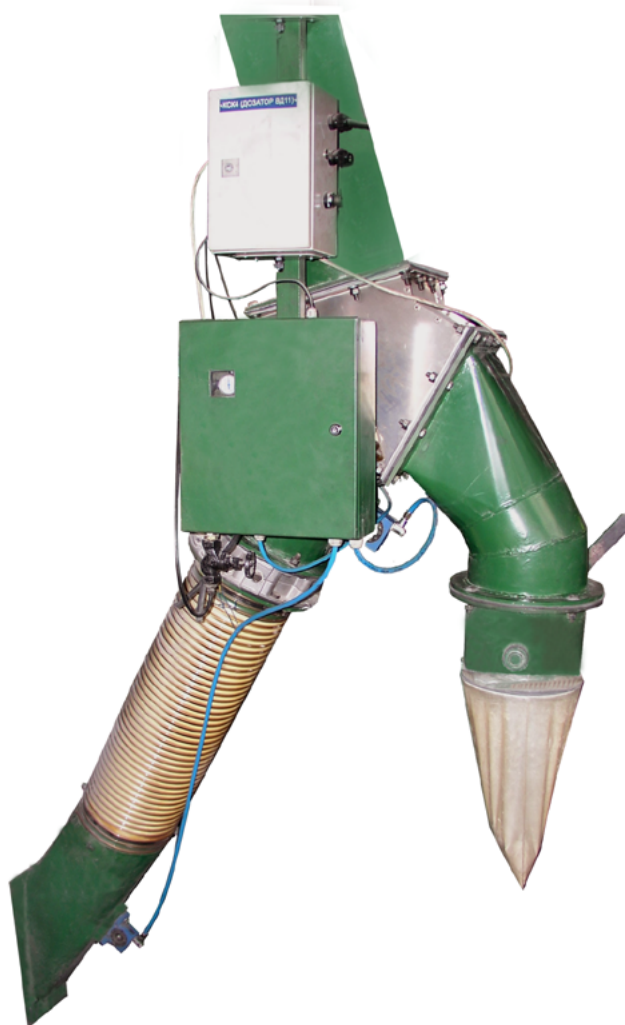




POLICON
Engineering & Manufacturing

***Tank for receiving
bulk ingredients
of rubber compounds
(Model E3)***

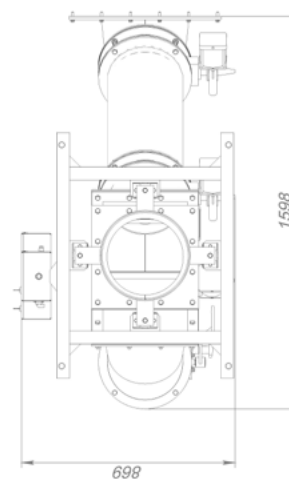
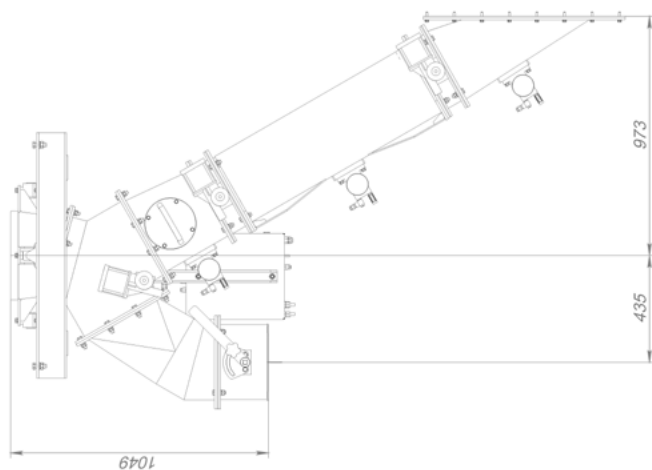
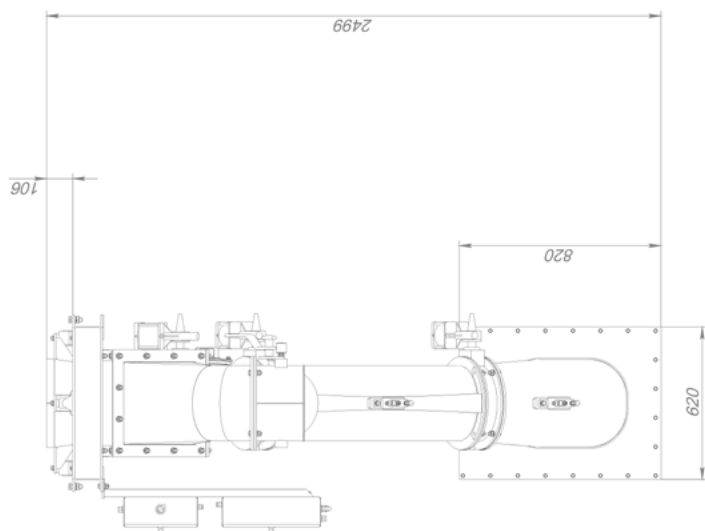
Tank for receiving bulk ingredients of rubber compounds from weights and enter them into the rubber mixer.

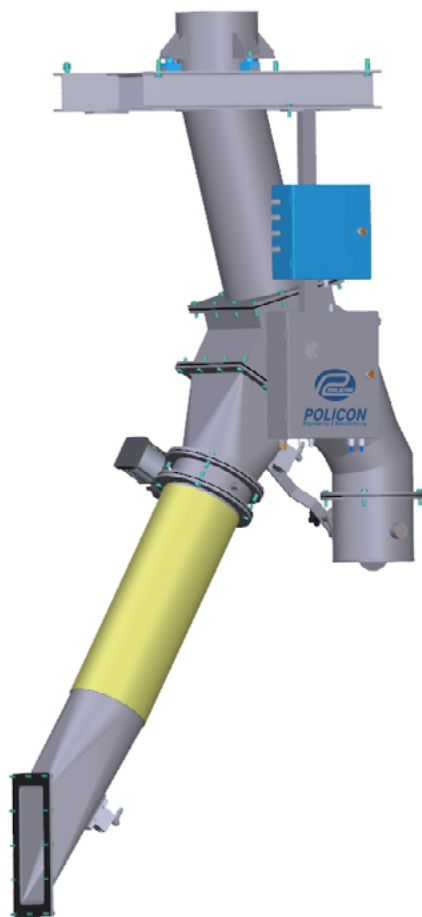


Features:

- equipment is made of stainless steel
- simplicity of design provides reliability and durability, ease of maintenance.
- two vibrators are installed on the tank.
- a flap valve is installed on the tank to select the defective hitch in a fixed bag.
- integrates into automatic suspension systems in the workshops for the preparation of rubber compounds.

Tank for receiving bulk ingredients of rubber compounds





Technical Specification:

Parameter name	E3-1	E3-2	E3-3
The size of the cross over valve, mm	250x250	250x250	300x300
Damper actuator and butterfly valve actuator	pneumatic		
Compressed air pressure in the pneumatic system, MPa	0,4 - 0,6		
Power supply:			
voltage, V	220		
frequency Hz	50		
Overall dimensions, mm, no more			
length	1 527	1 491	1 600
width	789	789	900
height	2 853	2 844	2 500
Weight, kg, no more	235	232	320

This product can be manufactured according to the technical specifications of the customer, taking into account its predetermined parameters and features.

Full cycle engineering services

Food Machinery

Machinery for tires, rubber, plastics manufacturing

Machinery for the chemical and oil and gas industry

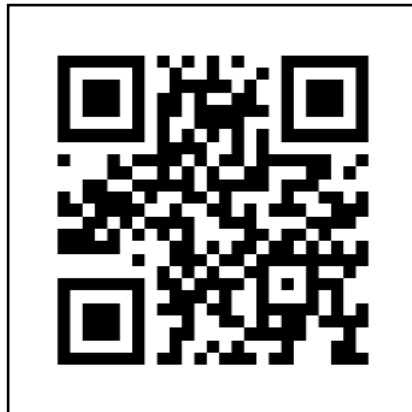
Machinery for the perfumery and cosmetic industry

Modernization and automation of production

Non-standart equipment

Production of spare parts, components, assemblies

Outsourcing services - repair and maintenance of equipment



Policon JSCo

194 Lermontov Str, Omsk 644009, Russia

Tel./Fax: +7 (3812) 36 74 12, 36 74 02, 48 48 30

e-mail: info@policon-rt.ru

www.policon-rt.ru